

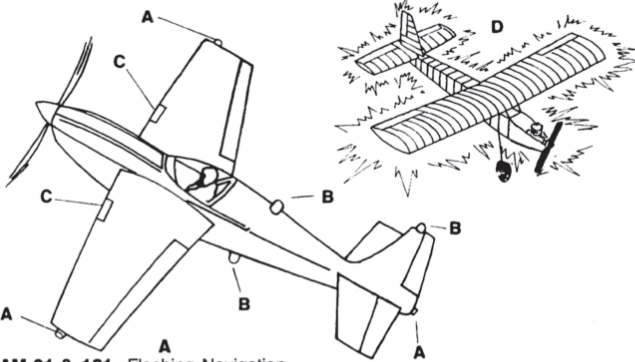


- LIGHTING SYSTEMS
- FAIL SAFE DEVICES
- CONTROL SWITCHES
- POWER DEVICES
- SOUND DEVICES

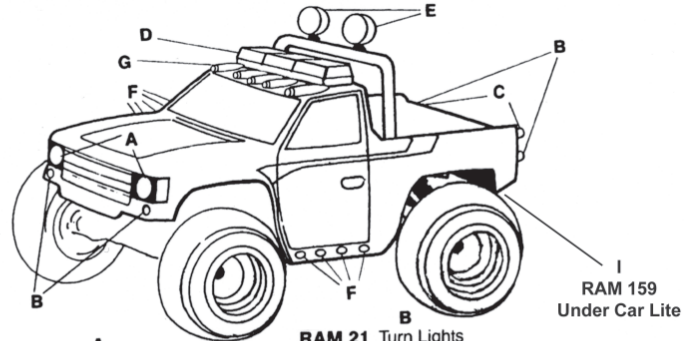
229 E. ROLLINS RD., ROUND LAKE BEACH, IL 60073 USA
 (847) 740-8726 FAX: (847) 740-8727
 WWW.RAMRCandRAMTrack.com

QUALITY PRODUCTS SINCE 1976 9-1-04

LIGHTING SYSTEMS

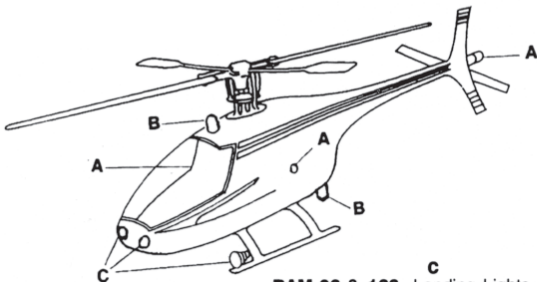


- | | |
|---|--|
| RAM 01 & 121 Flashing Navigation | RAM 02 & 122 "Strobe" Light |
| RAM 14 & 124 Big Airplane Navigation | RAM 04 "Rotating" Beacon |
| RAM 15 & 125 Non Flashing Navigation | RAM 23 Real Strobe |
| RAM 42 Dual Xenon Strobe | RAM 42 Dual Xenon Strobe |
| RAM 132 Park Flyer Lites | RAM 06 Sky Lights |
| RAM 161 ARF Lites | |
| RAM 03 & 123 Landing Lights | |
| RAM 16 Econo Landing Lights | |

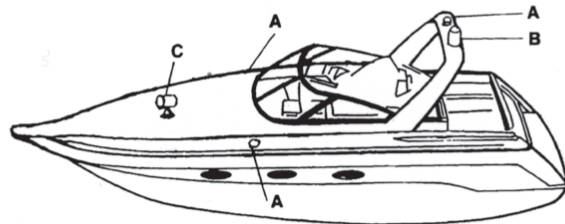


- | | | |
|---|---|-------------------------------------|
| RAM 10, 130, & 133 Gas Car Head & Brake Lights | RAM 21 Turn Lights | RAM 20 Stop Lights |
| RAM 13 Headlights | RAM 160 Fog Lites | RAM 66 Racers' Brake Lights |
| RAM 19 Headlights | RAM 24 RAM Lights | RAM 36 Marker Lights |
| RAM 120 Headlites w/Tail Lites | RAM 28 RAM Lights for Tamiya roll bar | RAM 33 Pace Car 10 Light Set |
| RAM 136 Micro Lites | RAM 29 RAM Lights w/ fold away roll bar | |
| RAM 170 Ultra Brite Head Lites | RAM 144 Ultra Brite RAM Lites | |
| RAM 07 Light Bar | RAM 169 Ultra Brites w/ fold away roll bar | |
| RAM 34 Clearance Lights | | |

- | | |
|---|--|
| RAM 01 & 121 Flashing Navigation | RAM 02 & 122 "Strobe" Light |
| RAM 05 & 125 Marine (Non flashing) | RAM 04 "Rotating" Beacon |
| | RAM 23 Real Strobe |
| | RAM 42 Dual Xenon Strobe |



- | |
|--|
| RAM 03 & 123 Landing Lights |
| RAM 16 Econo Landing Lights |



- | | |
|---|--|
| RAM 05 & 125 Marine Navigation | RAM 16 & 123 Landing Lights (spotlight) |
| RAM 02 & 122 "Strobe" Light | |
| RAM 04 "Rotating" Beacon | |

ULTRA BRITE LED LIGHTING SYSTEMS

RAM introduced white LEDs to the hobby industry in 1998. Since that time we have produced thousands of systems that have set the standard for high brightness, ruggedness and long battery life. The small circuit is powered for 4 to 10 hours by a 1.5 ounce, 9 volt alkaline battery depending on the number of LEDs in the system. 6 and 7 cell nicads can also be used. All the systems (except RAM 132, 3 MM) use 5 MM White and ultra brite LEDs with colored lense caps where appropriate. Power switches are also part of many of the systems. The systems are light and compact, completely assembled in the U.S.A. and ready for installation.

LIGHT BASKETS These preformed 3/4" x 3/4" x 2 1/4" generic baskets are provided FREE in all appropriate RAM car light systems to simplify scale installation of head lights and tail lights.

CAR-RAM 120 R/C CAR HEAD LITES W/ TAIL LITES. Two white LED headlites and 2 red LED tail lites, each on 1 foot of wire are powered by 6 or 7 cell nicad packs or for over 4 hours by a 9 volt alkaline battery.

RAM 121 FLASHING NAVIGATION LITES. Adj. rate. Two 48" wires provide for up to 96" wing span and attach to a Deans connector to allow detachment from the fuselage, the switch and the 36" wire to the tail lite. Red, green and clear lens caps provide proper navigation colors. The small circuit board allows for adjustment of 50 to 80 flashes per minute. Weight, approx. 1 oz.

RAM 122 "STROBE LITE". Adj. Rate. A white LED on 3 feet of wire attached to a circuit board provides a strobe effect. Includes a 3/8" diameter clear lens. Weight, approx. 1 oz.

RAM 123 LANDING LITES. Two white LEDs, each on 2 feet of wire are connected to a micro switch which can be controlled by the throttle, flap or retract servo. Weight, approx. 1 oz.

RAM 124 NAVIGATION LITES, GIANT SCALE. Two 6 foot wires attach to 2 Deans plugs and 1 foot wires to provide up to 168" span. These attach to the switch and a 6 foot wire to the tail lite. Red, green and clear lenses provide proper navigation colors. Approx. weight 2 oz.

ULTRA BRITE LED LIGHTING SYSTEMS CONT'D. PG. 2

RAM 125 NAVIGATION LITES, NON FLASHING. All of the same features of the RAM 121 above but without the flasher circuit board. Approx. weight 3/4 oz.

CAR RAM 130 GAS CAR HEADLITES W/BRAKE LITES. Similar to the RAM 120 above but the two red tail lites are controlled by a switch attached to your throttle servo so they brighten automatically when the vehicle slows down.

RAM 132 PARK FLYER NITE LITES This 6 gram system uses 3 Ultra Brite LEDs with red, green and clear lense caps for easy flight orientation and draws ONLY 6 MA in a 10 minute flight from your 5 to 8 cell Nicad or NiMH, or 2 or 3 cell LiPoly flight pack. Simply tape the system to a park flyer up to 48 inch wingspan and enjoy night flying!

CAR RAM 133 MAXX LITES This system has all the same features as the RAM 130 above but with wire lengths and instructions for the larger, most popular MAXX chassis.

CAR RAM 136 MICRO HEADLITES & TAIL LITES This set is specifically designed to provide ultra brite 5MM headlites and 3MM red tail lites for 1/18 scale MICRO R/C CARS as well as smaller scale SLOT CARS. The system draws minimal power from 6 to 18 volts DC provided by the R/C car power pack or the slot car track. Add that final touch of realism to your racing fun!

CAR RAM 144 ULTRA BRITE RAM LITES Two, new, off road style lites have a 1" diameter light weight, aluminum, satin finished body with a threaded, 3/16" mounting stud in back for easy body attachment. Two nylon adapters provide for roll bar and bumper mounting. Power by a 6 or 7 cell nicad or for over 4 hours by a 9 V alkaline battery.

CAR RAM 159 UNDER CAR LITE A 7" unbreakable plastic tube can be shortened, colored with paint and attached to the bottom of your model to provide the effect seen on full scale show cars. The tube is lit by two white LEDs powered by a 9 volt battery for up to 6 hours or by a 6 or 7 cell nicad.

CAR RAM 160 FOG LITES Two ultrabrite, yellow LEDs with optional yellow lense caps are powered by a 9 volt battery for up to 6 hours or by a 6 or 7 cell nicad.

RAM 161 ARF LITES. You can now easily add red, white and green flashing navigation lites to ANY completed model with this wireless system. Three mini modules, 7/16" in diameter and 1/2" long can be simply attached with included mounts. Total weight 1/2 ounce. Extra set of batteries included. Bright enough for quarter scale, light enough for park flyers!

CAR RAM 169 ULTRA BRITE RAM LITES W/ FOLDAWAY ROLL BAR This roll bar won't tear up your plastic truck bodies when they roll over! Two #144 Lites are supplied with all hardware to make a roll bar which adapts to any R/C body.

CAR RAM 170 ULTRA BRITE HEADLITES Two headlites, each on 1 foot of wire are powered by 6 or 7 cell nicad packs or for over 6 hours by a 9 volt alkaline battery.

CLASSIC INCANDESCENT LIGHTS

Since 1980 RAM has used the highest quality instrument bulbs available to manufacturers. Their brightness, long life and low current drain have been proven in thousands of RAM products. Unless specified, the systems listed below are powered by a compact, 1.5 ounce, 9 volt alkaline battery or a 6 cell nicad. The systems are light and compact, completely assembled in the U.S.A. and ready for installation.

Most systems are supplied with appropriately colored lenses which fit over the various bulb sizes. The 01, 05, 15, 20, 21, 33, 34, 36 and 66 utilize a 3/16 inch diameter, flat top lens. The 14 system uses a 1/4 inch diameter, flat top lens. The 02, 04 and 23 are supplied with a 3/8 inch diameter, dome top lens. Information for obtaining optional bulbs and lenses is included in each light system package.

LIFETIME BULB WARRANTY. RAM instrument quality bulbs are warranted against burnout for the life of your lighting system. If a bulb fails, snip it off with a 1 inch wire, insert it in a slot cut into a 3 by 3 inch square of corrugated cardboard, note the number of the lighting system and mail it to RAM. Obviously, this does not apply to bulbs that have been broken in use or installation or have been powered beyond specified voltage limits. Include \$1.00 to cover packing and postage.

RAM 01 PROGRAMMABLE FLASHING NAVIGATION LIGHTS. This system now features wing light wires to provide for a span of 94 inches which will accommodate 90% of the model kits currently available. A Deans connector provides for easy wing removal. The flash rate and duration of the red and green wing tip lights and the clear tail light are adjustable through a wide range to duplicate any scale operation. The assembled system contains the flasher circuit board with a 9 volt battery snap, connected to the wires and bulbs described above. Approximate weight, 1 ounce.

RAM 02 ADJUSTABLE RATE "STROBE" LIGHT. The light is adjustable to any desired flash rate. The system contains an adjustable rate flasher circuit board, 1 high intensity bulb on three feet of wire, battery snap connector and a clear dome lens. The system provides a bright, adjustable strobe light effect. Weight approximately 1/2 oz.

RAM 03 LANDING LIGHTS. System contains a positive pulse electronic switch and 2 high intensity bulbs with fixtures. It is connected to the receiver to work independently or simultaneously with another control function and uses the 4.8 volt RX. pack for power. Weight approximately 1 oz., with generic receiver connector.

RAM 04 ADJUSTABLE RATE MARS "ROTATING" BEACON. The light is adjustable to the desired "rotation" rate. The system contains an adjustable "rotation" unit, 1 high intensity bulb on three feet of wire, battery snap connector, and one red dome lens. Weight approximately 1/2 oz.

RAM 05 MARINE NAVIGATION LIGHTS. (nonflashing, may be used for some aircraft types). System contains 3 high intensity bulbs, each on three feet of wire, with red, green and clear lenses, 9 volt battery snap connector. Provides standard navigation lights. Weight 1/2 oz. Can also be powered by the RAM 64 Power Source.

CLASSIC INCANDESCENT LIGHTS CONT'D. PG. 3

RAM 06 SKY LIGHTS. This system is the proven way to fly at night or in low visibility. Three light strands, containing 6 bulbs each, are used to light each wing and the fuselage so flight orientation is maintained with the familiar "T" shape of a lighted plane against a black sky. The model must be of "built up" construction with little planking and covered with a translucent material such as made by Monokote. The assembled system provides for models up to 94" span and includes a Deans connector to detach the wing and a master switch. Using a 7.2 to 9 volt battery will result in a total glowing effect that cannot be matched by any other light system.

CAR RAM 07 LIGHT BAR. The molded plastic light bar is 4" long with a chrome base and 2 red lenses, perfect for 1/10 and 1/12 scale vehicles. The system includes an adjustable rate flash unit with two bulbs, each on 12" of wire. A 9 volt battery snap is provided or 6 cell car nicads can be used. Blue and amber lenses are available from RAM.

CAR RAM 10 GAS CAR HEADLIGHTS, TAIL & STOP LIGHTS. Designed to provide an efficient 9 volt alkaline battery powered lighting system for gas powered cars and trucks. The system includes two of our #19 type headlights for easy installation. Two red tail lights, controlled by a micro switch, shift to bright stop lights anytime the throttle linkage drops from full power. Installation details and tips are included in the instructions.

CAR RAM 13 HEAD LIGHTS. Designed for Tamiya etc. molded grills. Two bayonet style, 1/4" bulbs, each on 12" of wire, allow easy installation. Comes with a 9 volt battery snap or 6 cell car nicads can be used.

RAM 14 BIG AIRPLANE NAVIGATION LIGHTS. System contains 3 superbright bulbs, with red, green and clear lenses, a six-foot tail lead, 2 sevenfoot wing tip leads with Deans connectors, switch, and a 6 AA cell battery box. Nicad or alkaline cells are required. Weight 3 oz.

RAM 15 NON FLASHING NAVIGATION LIGHTS. This set provides for models not needing flashing lights and also features wing wires for up to 94" models and a Deans connector for easy wing removal. Instrument bulbs with red, green and clear lens covers are powered by an alkaline 9 volt battery or a 6 cell nicad pack. Approximate weight, 1/4 ounce.

RAM 16 ECONO LANDING LIGHTS. System contains 2 superbright bulbs rated at 2800 beam candlepower each on 2 feet of wire, with new, 5/8" diameter, aluminum, focused reflectors, microswitch, battery snap connector. Switch attaches to retract, flap, or motor servo for control. Weight 1 oz.

CAR RAM 19 HEAD LIGHTS. The aluminum 5/8" diameter reflector protects the bulb in the toughest crash. Two lights, each on 12" of wire, allow easy installation. Comes with a 9 volt battery snap or 6 cell car nicads can be used.

CAR RAM 20 TAIL & STOP LIGHTS. This system is comprised of two red stop lights, each on 12" of wire, and a switching device that is simply wired to the electric vehicle's drive motor. Whenever forward power is reduced, the bulbs will go from a dim tail light to a bright intensity for brakelight effect. No power is drawn from the motor battery 9 V battery powers the system.

CAR RAM 21 TURN LIGHTS. Four amber lites are used to duplicate scale vehicle operation. Two microswitches control a flasher device to simulate turn light action automatically when the vehicle is maneuvered. Comes with a 9 V battery snap or 6 cell car nicads can be used.

RAM 23 REAL STROBE LIGHT. This is the smallest, lightest, safest xenon strobe offered to the R/C modeler. The unit is 3/4" x 1" x 1 1/2", has adjustable rate and a power switch. Servo connectors to the 1" flash tube enables the modeler to use servo extensions to provide ANY length. The 1 ounce circuit operates for up to 8 hours on a 9 volt alkaline battery.

CAR RAM 24 RAM LITES. Two off road style, all aluminum lights for roll bar or body mounting. The black anodized 1/2" long threaded base provides easy mounting. The 1" diameter satin finished body can be used as is or polished to a high gloss. A 9 V battery or 6 cell car nicads can be used.

CAR RAM 28 RAM LIGHTS w/ TAMIYA ROLL BAR MOUNTS. Two #24 RAM Lites are packaged with two adaptors which mount to the Tamiya or similar roll bar.

CAR RAM 29 RAM LITES w/ FOLDAWAY ROLL BAR. Now you can have a roll bar that won't tear up your light plastic truck bodies when they roll over. Two #24 RAM Lites are supplied with adaptors and all hardware to make a fold away roll bar which adapts to any R/C body.

CAR RAM 33 PACE CAR 10 LIGHT SET. Add the excitement of a Pace Car to your collection of car bodies. This set includes 2 #19 Headlights with aluminum reflectors, 2 tail lights with red lenses, 4 flashing hazard lights with amber lenses and a RAM 07 Light Bar with 2 flashing bulbs and an adjustable rate flasher all wired into one system. You can use a 9 volt alkaline battery or a 6 cell car nicad pack for power.

CAR RAM 34 CLEARANCE LIGHTS. This 8 light set provides for all 4 sides of a truck, tractor or trailer. The 3/16 inch diameter, round, amber lenses are a near perfect replica of commonly used clearance, marker and running board lights. Use a 9 volt alkaline battery or your 6 cell car pack.

CAR RAM 36 CAB MARKER LIGHTS. All the features of the RAM 23 above but with TWO extra brite, 9/16" U shaped flash tubes. Perfect for wing tips. The 1 1/2 ounce circuit operates up to 4 hours on a 9 volt alkaline battery.

RAM 42 DUAL XENON STROBE LIGHTS. This deluxe, simultaneous flashing real strobe system uses two, 9/16" wide, horseshoe shaped flash tubes, each on 4' cables providing for a 96" wing span. The set has a 3/4" x 1" x 1 1/2" circuit board, switch and a 4 AA battery. Alkaline batteries provide over 3 hours running time.

CAR RAM 66 RACER'S STOP LIGHT. Now R/C car racers have a small (1/2 x 1 inch) light (1 ounce) device featuring two, bright instrument bulbs with red lenses. Powered by the electric car battery pack, it will operate from 3 to 9 volts with either reversing or non reversing electronic speed controls.

CAR RAM 84 RECTANGULAR LIGHTS. This two light system provides headlights for R/C cars and trucks as well as shaped lighting for other model use. The 1/2 x 7/8" lenses are typical scale size and can be used on the "face" of a model. Each light has a 12" wire to the battery snap for a 9 volt Alkaline battery or the 6 cell car nicad battery can be used.

CONTROL AND POWER SUPPLY DEVICES. PG. 4

These devices provide a variety of ways to switch, control and power RAM lights, sounds, and many other accessory devices that are commonly used in models.

RAM 08 ELECTRONIC SWITCHER. Provides control of various circuits such as lights, auxiliary glow plug battery and electric motors. Adjustable "on" point at any preferred stick position and is direction reversible. The circuit board attached to a double pole, double throw relay, which can be wired in a variety of ways to produce control of two separate voltage devices or reversing action for a motor. Controls up to 20 amps of current. The device is 1 1/2" x 1 1/4" x 1 1/2" and weighs 2 oz. A generic receiver plug is attached.

RAM 27 SIMPLE THROTTLE. This is the simplest way to get 2 speeds forward (high and low), off, and two speeds reverse for your electric boat or car. Reverse speeds can be eliminated for aircraft use. Eliminates linkage by mounting directly to the throttle servo. Suitable for 02 to 25 motors. System includes fuse holder and 15 amp fuse. 1 1/4" x 2" board. Weight 1 oz.

RAM 30 4 WAY MULTI SWITCH w/ DUAL VOLTAGE OPTION. This is a difficult product to describe because it does so much and all from a rotary switch device mounted directly to a single servo. It will control 4 individual accessories on one voltage and 2 additional ones can be operated simultaneously on another voltage. Perfect for all those scale options on your model.

RAM 32 SINGLE SPEAKER 4 SOUND SWITCH. This rotary switch attaches to the top of a servo and allows you to feed up to 4 RAM Digital sound devices through 1 speaker. A great space saver.

RAM 35 SIMPLE R/C SWITCH. This device is a 3/4 ounce solid state switch for loads up to 5 amps and 24 volts. Features include LED monitor, adjustable "ON" point, reversible adjustment, optically coupled and is controlled directly by your receiver. A generic receiver plug is attached. The ideal way to control RAM lighting systems on your model!

RAM 64 9 VOLT AND 5 VOLT R/C POWER SOURCE. Designed to power BOTH the 4.8 volt receiver system and RAM 9 volt light and sound systems from batteries of 10.8 to 18 volts. This simplifies electrical installations in boats since all systems can be powered by a single battery. The device delivers 1 amp for each voltage source and is both overload and short circuit protected. The size is 1" x 1 1/4" x 1 1/8" and a screw terminal strip is provided for simple installation.

RAM 76 X TRA CONTROL. Modelers are now able to turn on lights, sound horns and operate a wide variety of accessories without investing in more expensive radios or channel expanders. The mini receiver (1" x 2 1/2" X 7/8") and "key fob" transmitter have a range to 100 feet and provide a latching on - off function AND a momentary function. Each can carry a load of up to 1 amp. There is also provision to simply individualize the system so that it will not interfere with another modelers X Tra Control radio.

FAIL-SAFE DEVICES

RAM has originated more "fail safes" than any other manufacturer. They are designed to eliminate or help to prevent the most common sources of problems to the R/C modeler. All systems are completely assembled. A generic receiver plug is attached when appropriate. Batteries and connectors may be required for other devices.

RAM 09 BATTERY BACKER. Radio manufacturers state that battery pack and switch failure account for 80% of all radio problems. The system provides a complete backup for both of these trouble sources. The device senses low or intermittent voltage from the main receiver battery system and instantly switches to the backup battery system. (This battery can be as little as a 100 milliamp nicad pack or a standard nicad or alkaline pack.) It then turns on a bright red LED so that you are warned that you are on the backup system. The backup battery and switch harness are required to complete the installation. The 3 amp system capacity is suitable for models using 4 standard servos. Larger models with heavy duty and dual servos should use the RAM 25. The device is 1 1/4" x 1/4" x 5/8". Weight 1/2 oz. Now with generic connectors for "plug and play" installation.

RAM 11 LOW BATTERY ALARM. The new RAM 11 gives an audio AND visual low battery alarm for your 4.8 volt receiver OR 9.6 volt transmitter battery. You will hear a beeper AND see a warning red LED if your battery charge is low. The device is 1 3/4" x 1" x 5/8". and weighs 1/2 oz.

RAM 12 LOW FUEL LIGHT, GLOW FUEL MONITOR. You can now have a visible warning when your tank reaches the low glow fuel level point that you set. This 1/2 ounce device turns on a bright light mounted on your model which can easily be seen in a fly by or hover. Draws power from the receiver battery only when the warning light is on.

RAM 17 PLANE FINDER MARK II. The new standard for finding lost models! Rugged and powered by its own battery, this system doesn't depend on the receiver and battery that probably caused the "fly away". Flip the arming switch and it remains silent for 15 to 20 minutes after which it beeps at 65db at 50 feet for up to 4 days with an alkaline 9V battery. Easy to use, it works with any radio system, even PCMs. Judged best by R/C Modeler Jan. 98.

RAM 18 BIG AIRPLANE RF DE-GLITCHER. These small beads (1/4" x 7/8") eliminate the use of bulky and expensive chokes to protect your radio from long servo wire RF interference. The 10 beads in each package are usually enough to protect 5 servos in a typical installation. Instructions include a mini-course in glitch elimination.

RAM 22 SIMPLE CYCLER. Why pay for another charger when you already own one? Cycle up to 600 MA, 4.8 volt receiver and 9.6 volt transmitter batteries the easy way throughout the year. The Simple Cyclor gives you an audible warning when your packs are discharged to the level recommended by battery manufacturers. Then safely recharge with your radio system's charger. You can easily determine the percentage of use and charge remaining in your pack, as well as get an early indication of cell failure. For receiver packs higher than 600 MA see the RAM 26.

RAM 25 BIG MODEL BATTERY BACKER. With a 10 Amp capacity this system will handle the demands of large models with heavy duty and dual servos. It operates just like the RAM 09, above, and comes with two heavy duty switch harnesses to carry the heavy amperage loads. This new model is smaller, (1 3/4" x 1 3/4" x 1/2") lighter (1 oz.) and simpler to install than the original model.

FAIL-SAFE DEVICES CONT'D. PG. 5

RAM 26 BIG BATTERY CYCLER. Now you can cycle your big 4.8 volt packs (600 to 4000 MA) with the same efficiency of our famous RAM 22 Simple Cyclers.

RAM 43 DUAL IGNITER. For 2 cylinder engines with all the features of the RAM 49 and 50. Uses a 2500 MA Sanyo Cell and 2 DuBro plug connectors. 1 1/4" x 2" x 2", 5 oz.

RAM 44 BOAT SAVER. This device senses water in the bottom of your boat and turns on a bright warning light. Requires 6 to 12 volt battery

RAM 45 BOAT SAVER WITH PUMP. Our RAM 44 bilge water sensor is attached to a small pump so that the warning light signals you of water in the boat while the pump removes it.

RAM 49 IGNITER. Now you can have the dependable low speed engine performance of an on board glo driver that can also start your engine and for little more than the cost of a regular nicad field starter. Features a built in 800 MA battery that can be charged with your receiver charger. The system has an LED monitor, is reversible, optically coupled and will shut down automatically. A generic receiver plug and DuBro glow plug connector are attached. Saves weight for 20 and 21 engines. 1" x 2" x 1 1/4". Weight 2 oz. Charge with your 50MA receiver charger. Nothing extra to buy!

RAM 50 IGNITER. All the outstanding features of the RAM 49 but with a 1300 MA battery to provide more power for 35 and larger engines where the extra ounce of the larger cell is not critical. 1" x 2" x 1 1/2". Weight 3 oz. Complete system. Nothing extra to buy!

RAM 62 SERVO FAIL SAFE MARK II. Save your model and maybe more! Anytime your model loses transmitter signal, this device will automatically move the servo it controls to the failsafe position you have preset. Example: Stop or reduce the engine throttle and greatly minimize the chance of severe crash damage. Response delay is adjustable from 0 to 5 seconds. It is also WATER PROOFABLE and features a flat design that is half the size of a credit card. This new version has two generic connectors and will work with any receiver.

RAM 83 RADIO SIGNAL WATCH DOG. This 1/2 ounce device plugs into your receiver and provides 4 services. The beeper will warn you of any interfering transmitter signal, the lack of your transmitter signal and simplify range checking. It also acts as a plane finder for non PCM radios if the receiver and battery are operable. A generic receiver plug is attached.

RAM 90 ALARMIST. Used in conjunction with your peak detector charger or discharge load, a beeper sounds when you reach full charge or safe, deep discharge for 6, 7 and 8 cell batteries. Circuitry allows you to do both functions simultaneously. You will immediately know when your battery pack is fully charged or deep discharged.

R/C SOUND DEVICES

RAM manufactures analogue sound devices (31, 38, 39, 40, 48) in order to provide accurate sounds and good value.

RAM 31 3 WAY SIMPLE SIREN. This compact but loud system offers a choice of three distinct siren sounds for cars, boats, and planes. The system comes with a 2" speaker. Weight 3 oz. Requires a 9 volt alkaline battery.

RAM 38 GAS/DIESEL ENGINE SOUND WITH HORN - 4" SPEAKER. You choose either a gas or diesel engine sound with adjustable horn for your electric car, truck or boat. Idle rate and top speed are also adjustable. Simple 4 wire hook up. Completely assembled, includes 4" speaker. Compact state of the art design is synchronized to motor speed. 6 to 14.4 volt input power. Perfect for 10th scale cars and trucks, Dumas Chriscrafts and Tugs, Midwest Trawlers etc.

RAM 39 VW CAR ENGINE SOUND AND HORN. Very compact. Completely assembled with 2" speaker and horn switch. Synchronized to car motor speed. Operates 6 to 14.4 volts.

RAM 40 GAS/DIESEL ENGINE SOUND WITH HORN - 2" SPEAKER. Uses the same sophisticated sound device as the RAM 38 but with a 2" speaker to allow installation in smaller cars and boats.

RAM 48 STEAM ENGINE SOUND, R/C. The 1 1/4" x 3 1/4" module produces the realistic chuff and hiss sound of a steam engine. The sensor board synchronizes the speed to the turning prop shaft in your model. Completely assembled with a 2" speaker. Operates on 6 to 14.4 volts.

NEW COMPLETE DIGITAL SOUNDS

Accoustically recorded, these digitally accurate sounds are produced by an amplified 1" x 2 1/2" circuit board and come with a 2" or 3" speaker. These complete systems also include a power switch, servo actuated control switch and a speaker amplification box. EVERYTHING needed for control by your radio! Power by 9 to 18 volts. Optional control by RAM 30, 35 or 76.

RAM 46 MACHINE GUN. A long, 50 caliber gun burst. Special instructions for multiple speakers and other hints commonly used by Show Teams.

RAM 61 WHOOPER. This device produces the classic whooping attack alarm common on destroyers and other fast surface ships.

RAM 63 FOG HORN. Coast Guard regulation horn tone.

RAM 67 SHIP ALARM BUZZER. This is the klaxon sound used for general quarters on military ships.

R/C SOUND DEVICES CONT'D. PG.6

RAM 68 SUB SONAR PING. The clear ping is the tracking sound used to identify the location of underwater vessels.

RAM 69 SUB DIVE ALARM. To announce a dive to the crew a very distinctive alarm was given.

RAM 70 AIR HORNS. The sound of a dual trumpet air horn used on trucks, pleasure boats and small commercial vessels is very distinctive.

RAM 71 BIG SHIP WHISTLE. An ocean liner or large cargo ship have a very deep and distinctive whistle sound.

RAM 77 STEAM CALLIOPE. The calliope sound was common on river steam boats and at circuses. This device plays a short, up beat tune. Perfect for Dumas Creole Queen and Mount Washington.

RAM 78 RIVERBOAT STEAM WHISTLE. The blast of the riverboat whistle was distinctive from other larger and smaller steam boats. Perfect for Dumas Creole Queen.

RAM 79 JET ENGINE. This device gives the distinctive whine of a jet turbine engine.

RAM 80 OLD TIME STEAM WHISTLE. Small steam launches and other small steam tractors and logging engines had very distinctive whistles. Perfect for Dumas Brooklyn, Midwest Seguin.

RAM 81 16 INCH DECK GUN. The roar and echo of a large gun is provided by this device.

RAM 82 TUG BOAT WHISTLE. Modern diesel tug boats have a very specific air horn sound. Perfect for Dumas Shelly Foss etc.

RAM 166 LIGHT PLANE ENGINE Now your electric airplane can have the fly by sound of the proper engine. 3" speaker.

RAM 167 MERLIN ENGINE Same features as RAM 166 with the V12 sound.

RAM 168 RADIAL ENGINE Same features as RAM 166 with the round engine sound.

RAM 171 WW I MACHINE GUN Has the slow firing rate of a sychronized gun.

CUSTOM SOUND SERVICE

The sounds listed above are in stock at all times. We are well aware that there are many other sounds that an individual modeler may want. Our tapes, collected over the past 5 years, may contain the sound. You may supply the sound on your own standard audio cassett tape or you may choose to record your own voice for conductor calls or have our voice record your script. Any custom recording is the cost of the digital device, \$39.95, plus \$5.00 for the custom chip and \$6.00 for return U.P.S. Call RAM for further details.



- LIGHTING SYSTEMS
- FAIL SAFE DEVICES
- CONTROL SWITCHES
- POWER DEVICES
- SOUND DEVICES

229 E. ROLLINS RD., ROUND LAKE BEACH, IL 60073 USA

(847) 740-8726 FAX: (847) 740-8727

WWW.RAMRCandRAMTrack.com

9-1-04

LIGHTING SYSTEMS

		Stock#	List Price
Flashing Navigation Lights 9V <i>New Version to 94" span, w/ wing light connector</i>	RAM	01	\$34.95
Strobe Light 9V <i>adjustable flash rate</i>	RAM	02	24.95
Landing Lights 4.8V <i>receiver controlled with connector</i>	RAM	03	39.95
Mars Rotating Beacon 9V <i>adjustable rate</i>	RAM	04	24.95
Marine Navigation Lights 9V <i>nonflashing</i>	RAM	05	14.95
Sky Lights, 18 Light Set, 7.2 - 9V <i>fly at night, 94 " span w/ switch & wing light conn</i>	RAM	06	34.95
Light Bar w/2 Lights, 7.2 - 9V <i>adjustable flash rate, w/ red lenses</i>	RAM	07	29.95
Gas Car Headlights, Tail & Stop Lights, 9V <i>automatic stop light action</i>	RAM	10	24.95
Head Lights for Tamiya etc. Grill, 7.2 - 9V <i>fits injection molded grills</i>	RAM	13	9.95
Big Airplane Navigation Lights 9V <i>to 168" span, nonflashing</i>	RAM	14	29.95
Non Flashing Navigation Lights 9V <i>New Version to 94" span, w/ wing light connector</i>	RAM	15	19.95
Econo Landing Lights 9V <i>servo controlled</i>	RAM	16	24.95
Car Head Lights 7.2 - 9V <i>w/ aluminum reflectors</i>	RAM	19	14.95
Car Tail and Stop Lights 9V <i>automatic stop light action for electric cars</i>	RAM	20	24.95
Car Turn Lights 7.2 - 9V <i>automatic action for gas or electric cars</i>	RAM	21	29.95
Real Strobe Light 3V <i>9V, adj. rate, adj. wire length</i>	RAM	23	34.95
RAM Lites, All Aluminum, 7.2 - 9V, 2 per pkg. <i>stud mount, ideal for roll bars</i>	RAM	24	19.95
RAM Lites w/Mounts for Tamiya Roll Bar <i>for Blackfoot style roll bars</i>	RAM	28	24.95
RAM Lites w/Fold-away Roll Bar <i>helps prevent lexan body damage</i>	RAM	29	29.95
Pace Car, 10 light set, 7.2 - 9V <i>6 flashing lights, includes light bar</i>	RAM	33	49.95
Clearance Lights, Amber Lenses, <i>8 bulbs, 7.2 - 9V body outline or running board</i>	RAM	34	14.95
Cab Marker Lights, Alum., <i>5 Light Set, Amber Lenses, 7.2 - 9V for cab top</i>	RAM	36	29.95
Dual Xenon Strobe Lights <i>9V, adj. rate, adj. wire length</i>	RAM	42	49.95
Racers Brake Lights <i>1/8 oz., 2 bright lights, powered by car battery</i>	RAM	66	19.95
Rectangular Lights <i>7.2 - 9 V, approx. 1/2" x 7/8"</i>	RAM	84	14.95
Ultra Brite Car Headlites <i>w/ Tail Lites, 7.2 - 9V</i>	RAM	120	24.95
Ultra Brite Flashing Nav. Lites, <i>Adj. Rate, 96", 7.2 - 9V</i>	RAM	121	44.95
Ultra Brite "Strobe" Lite, <i>Adj. Rate, 7.2 - 9V</i>	RAM	122	29.95
Ultra Brite Landing Lites, <i>servo cont. 7.2 - 9V</i>	RAM	123	29.95
Ultra Brite Nav. Lites, <i>Giant Scale, 168", 7.2 - 9V</i>	RAM	124	39.95
Ultra Brite Nav. Lites, <i>Non Flash, 96", 7.2 - 9V</i>	RAM	125	34.95
Gas Car Headlites W/Brake Lites, <i>7.2 - 9V</i>	RAM	130	29.95
Park Flyer Nite Lites <i>to 48", 5 to 8 cells</i>	RAM	132	24.95
MAXX Lites Headlites <i>w/ Tail/Brake Lites, 7.2-9V</i>	RAM	133	29.95
Micro Headlites & Tail Lites <i>6 to 18V</i>	RAM	136	24.95
Ultra Brite Ram Lites, <i>for roll bar, bumper or body 7.2 - 9 V</i>	RAM	144	29.95
Under Car Lite <i>7.2 - 9V</i>	RAM	159	17.95
Fog Lites <i>7.2 - 9V</i>	RAM	160	11.95
ARF Lites <i>3 wireless, flashing, navigation, mini lite modules</i>	RAM	161	19.95
Ultra Brite Ram Lites w/ Fold Away Roll Bar <i>helps prevent lexan body damage</i>	RAM	169	34.95
Ultra Brite Headlites <i>7.2 - 9V</i>	RAM	170	14.95

These systems feature incredibly bright, almost indestructible, white and Ultra Brite LEDs with colored lens caps, where appropriate. LEDs provide 5 to 10 times the battery life and most systems have a power switch.

FAIL-SAFE DEVICES

Battery Backer 3 Amp <i>redundant battery system for standard size models</i>	RAM	09	39.95
Low Battery Alarm - Audio & Visual 4.8 or 9.6V <i>for receiver or transmitter</i>	RAM	11	24.95
Low Fuel Light, Glo Fuel Monitor <i>visible in flight</i>	RAM	12	19.95
Plane Finder Mark II, <i>up to 65 DB @ 50' w/ any radio</i>	RAM	17	24.95
Big Airplane RF De-glitcher System <i>replaces 10 chokes</i>	RAM	18	9.95
Simple Cyclor 4.8V - 9.6V to 600 MA <i>nicad pack maintenance</i>	RAM	22	19.95
Big Model Battery Backer, 10 Amp <i>includes 2 heavy duty switch harnesses</i>	RAM	25	59.95
Big Battery Cyclor 4.8V to 4000 MA <i>for giant scale receiver packs</i>	RAM	26	24.95
Dual Igniter 2500 MA - Onboard Driver/Starter <i>for twin cyl. engines w/ rx. conn</i>	RAM	43	59.95
Boat Saver - Bilge Warning Light 6 - 12V <i>senses water, turns on light</i>	RAM	44	14.95
Boat Saver w/Bilge Pump 6 - 12V <i>senses water, turns on light & pump</i>	RAM	45	29.95
Igniter 800MA On Board Driver/Starter <i>for 20 and 21 engines, w/ rx conn</i>	RAM	49	49.95
Igniter 1300MA On Board Driver/Starter <i>for 35 and larger engines, w/ rx. conn</i>	RAM	50	49.95
Servo Fail Safe Mk II <i>adj. safe point, adj. delay, waterproofable, w/ connectors</i>	RAM	62	29.95
Radio Signal Watch Dog <i>Provides 4 functions, 1 1/2 Oz. with rx. conn</i>	RAM	83	19.95
Alarmist <i>Charge and discharge beeper for 6, 7, and 8 cell batteries</i>	RAM	90	24.95

CONTROL AND POWER DEVICES

Electronic Switcher 20 Amp <i>directly controlled by receiver with rx. conn</i>	RAM	08	39.95
Simple Throttle 15 Amp <i>2 speeds: forward and reverse</i>	RAM	27	19.95
Simple Multi Switch, 4 position <i>servo controlled w/ 2 simultaneous positions</i>	RAM	30	19.95
Single Speaker 4 Sound Switch <i>for RAM digital sounds</i>	RAM	32	19.95
Simple R/C Switch, 5 AMP <i>directly controlled by receiver with rx. conn</i>	RAM	35	39.95
9 Volt and 5 Volt R/C Power Source <i>supply Rx., and accessories from 10- 18 V source</i>	RAM	64	14.95
X Tra Control <i>Rx., & Tx. for accessories, latching AND momentary control</i>	RAM	76	49.95

R/C SOUND DEVICES

****Digitally accurate recordings.**

Stock#

Price

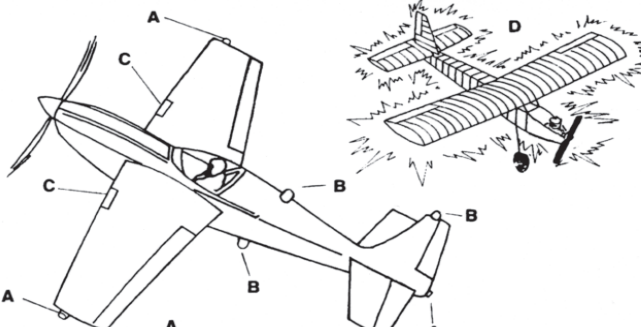
3 Way Simple Siren 9V, 3 common siren sounds	RAM 31	\$29.95
Gas/Diesel Engine Sound & Horn 4" speaker, 6 - 14V adjustable idle, top speed, horn.....	RAM 38	49.95
VW Car Engine Sound & Horn 2" speaker, 6 - 14V adjustable idle, top speed	RAM 39	34.95
Gas/Diesel Engine Sound & Horn 2" speaker, 6 - 14V adjustable idle, top speed, horn	RAM 40	49.95
**Machine Gun Sound Module, 2" speaker, 9-18V	RAM 46	39.95
Steam Engine Sound, 2" Speaker, 6-14V magnetic sensor adjusts to speed	RAM 48	49.95
**Whooper 2" speaker, 9 - 18V	RAM 61	39.95
**Fog Horn, 2" speaker 9 - 18 V	RAM 63	39.95
**Ship Alarm Buzzer 2" speaker, 9-18V	RAM 67	39.95
**Sub Sonar Ping 2" speaker, 9-18V	RAM 68	39.95
**Sub Dive Alarm 2" speaker, 9-18V	RAM 69	39.95
**Air Horns 2" speaker, 9-18V	RAM 70	39.95
**Big Ship Whistle 2" speaker, 9-18V	RAM 71	39.95
**Steam Calliope 2" speaker, 9-18V	RAM 77	39.95
**Riverboat Steam Whistle 2" speaker, 9-18V	RAM 78	39.95
**Jet Engine 2" speaker, 9-18V	RAM 79	39.95
**Old Time Steam Whistle 2" speaker, 9-18V	RAM 80	39.95
**16 Inch Deck Gun 2" speaker, 9-18V	RAM 81	39.95
**Tug Boat Horn 2" speaker, 9-18V	RAM 82	39.95
**Light Plane Engine 3" speaker 9 - 18V	RAM 166	39.95
**Merlin Engine 3" speaker 9 - 18V	RAM 167	39.95
**Radial Engine 3" speaker 9 - 18V	RAM 168	39.95
**WW I Machine Gun 2" speaker 9 - 18V	RAM 171	39.95

SHIPPING INFORMATION - INDIVIDUAL ORDER: Include full address needed for U.P.S. shipment. Send cash, check, money order in U.S. funds or full credit card info (Master or Visa) for the cost of items plus \$6.00 U.S. (\$7.00 all foreign orders) for immediate shipment. Sorry, no C.O.D. **DEALER AND DISTRIBUTOR ORDERS:** Full standard discount applies to all items. Send a company purchase order and a business check to cover the net cost of the items plus \$6.00 for shipping. We will pay shipping costs on all domestic orders totaling 20 or more items.

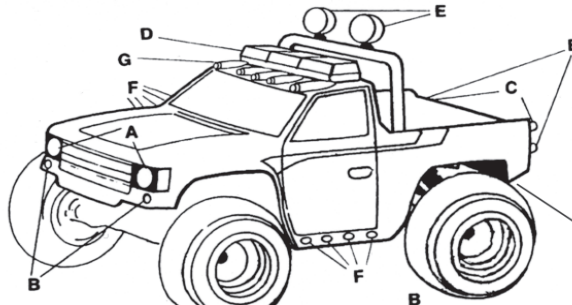
Prices and specifications are subject to change without notice. All RAM products are made in the U.S.A.

ALSO 70 RAILROAD ACCESSORIES* LIGHTS * CONTROL DEVICES * SOUND DEVICES

**For a full brochure, send a stamped, #10 envelope
or call 847-740-8726. • WWW.RamRCandRamTrack.com**

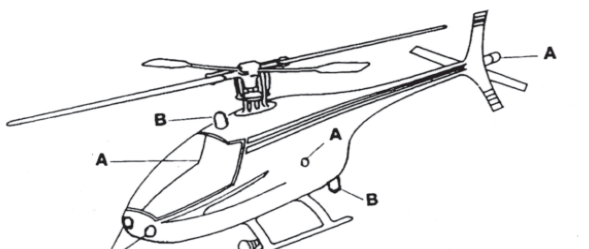


RAM 01 & 121 Flashing Navigation	RAM 02 & 122 "Strobe" Light
RAM 14 & 124 Big Airplane Navigation	RAM 04 "Rotating" Beacon
RAM 15 & 125 Non Flashing Navigation	RAM 23 Real Strobe
RAM 42 Dual Xenon Strobe	RAM 42 Dual Xenon Strobe
RAM 132 Park Flyer Lites	
RAM 161 ARF Lites	
RAM 03 & 123 Landing Lights	RAM 06 Sky Lights
RAM 16 Econo Landing Lights	

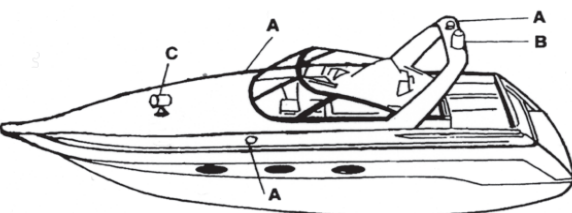


RAM 10, 130, & 133 Gas Car Head & Brake Lights	RAM 21 Turn Lights	RAM 20 Stop Lights
RAM 13 Headlights	RAM 160 Fog Lites	RAM 66 Racers' Brake Lights
RAM 19 Headlights	RAM 24 RAM Lights	RAM 36 Marker Lights
RAM 120 Headlites w/Tail Lites	RAM 28 RAM Lights for Tamiya roll bar	RAM 33 Pace Car 10 Light Set
RAM 136 Micro Lites	RAM 29 RAM Lights w/ fold away roll bar	
RAM 170 Ultra Brite Head Lites	RAM 144 Ultra Brite RAM Lites	
RAM 07 Light Bar	RAM 169 Ultra Brites w/ fold away roll bar	
RAM 34 Clearance Lights		

RAM 01 & 121 Flashing Navigation	RAM 02 & 122 "Strobe" Light
RAM 05 & 125 Marine (Non flashing)	RAM 04 "Rotating" Beacon
	RAM 23 Real Strobe
	RAM 42 Dual Xenon Strobe



RAM 03 & 123 Landing Lights	RAM 16 Econo Landing Lights
--	------------------------------------



RAM 05 & 125 Marine Navigation	RAM 16 & 123 Landing Lights (spotlight)
RAM 02 & 122 "Strobe" Light	
RAM 04 "Rotating" Beacon	